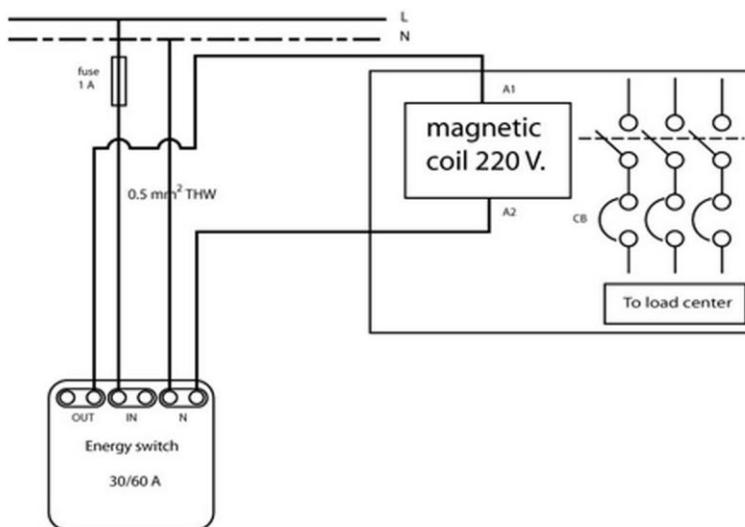




## ประตูล็อคห้องโรงแรม

## Energy Switch T5557



### Specification

- |   |
|---|
| 1. Load current up to 30A, 180 ~ 240V voltage           |
| 2. T5557 card only support to take power                |
| 3. Dimensions: 86 × 86 × 50 (mm), reflective white side |
| 4. Delay power off: 8 to 15 seconds                     |
| 5. Material: flame-retardant PC material imports        |